



HYDRARAM[®]

DEMOLITION & RECYCLING EQUIPMENT

POWERBOOSTER



EVOLUTION™

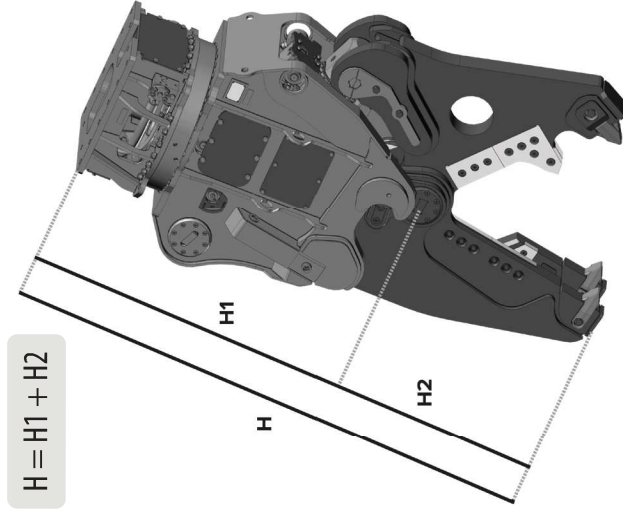
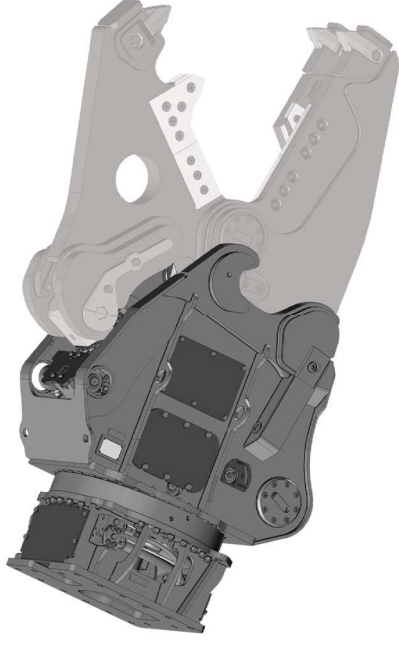
CORPORATE BROCHURE 2021



MULTIPROCESSORS

POWERBOOSTER MK SERIES

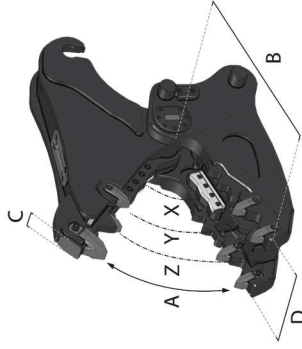
4 MODELS MULTIPROCESSORS FOR CARRIERS FROM 18 ~ 60 TONS
4 DIFFERENT JAWS FOR SEVERAL SOLUTIONS



	MK-18P	MK-23P	MK-28P	MK-38P
(1) Excavator class	18 - 25	25 - 35	35 - 45	45 - 60
** Weight	1335	1520	2015	2390
Working pressure	250	250	250	250
Oilflow at open/close	130 - 200	180 - 250	230 - 300	250 - 300
Working pressure rotation	140	140	140	140
Oilflow rotation	10 - 20	10 - 20	10 - 20	10 - 20
H1 -	1270	1330	1385	1465

(1) Recommended excavator / attachment combination

(**) Weight = body without jaw



P

Equipped with exchangeable teeth



S

Pulverizer Jaw						
		MK-18P	MK-23P	MK-28P	MK-38P	
**** Kg	Weight	Kg.	780	1000	1425	1880
	Cutter length	mm.	220	260	260	260
A	Jaw opening	mm.	750	850	905	1030
B	-	mm.	720	780	820	935
C	-	mm.	300	300	360	395
D	-	mm.	465	485	590	630
H2	-	mm.	950	1065	1145	1240
X	-	I.	255	260	340	425
Y	-	I.	120	155	155	180
Z	-	I.	80	105	120	145
	Max	mm.	40	45	50	60

Steel Jaw						
		MK-18P	MK-23P	MK-28P	MK-38P	
**** Kg	Weight	Kg.	650	1020	1310	1605
	Cutter length	mm.	470	510	565	620
A	Jaw opening	mm.	410	515	520	550
B	-	mm.	485	545	560	630
C	-	mm.	100	120	130	130
D	-	mm.	330	380	440	440
H2	-	mm.	785	910	965	1055
X	-	I.	510	610	815	925
Y	-	I.	210	280	325	370
Z	-	I.	115	150	165	200
	Max	mm.	55	65	70	80



Equipped with exchangeable teeth

C

Combi Jaw						
		MK-18P	MK-23P	MK-28P	MK-38P	
^{***} Kg	Weight	Kg.	760	1185	1400	1900
	Cutter length	mm.	420	480	500	500
A	Jaw opening	mm.	690	815	850	960
B	-	mm.	750	800	815	885
C	-	mm.	110	130	130	130
D	-	mm.	320	350	415	450
H2	-	mm.	1010	1145	1185	1290
X	-	T.	480	620	710	955
Y	-	T.	130	160	175	240
Z	-	T.	80	105	120	15
	Max	mm.	45	50	55	75



Equipped with exchangeable teeth

D

Demolition Jaw						
		MK-18P	MK-23P	MK-28P	MK-38P	
^{***} Kg	Weight	Kg.	720	1160	1350	*
	Cutter length	mm.	175	240	250	*
A	Jaw opening	mm.	780	940	960	*
B	-	mm.	750	800	815	*
C	-	mm.	110	130	130	*
D	-	mm.	320	350	400	*
H2	-	mm.	1010	1145	1200	*
X	-	T.	480	620	410	*
Y	-	T.	130	160	165	*
Z	-	T.	80	105	120	*
	Max	mm.	45	50	55	*

(***) Weight = jaw set only